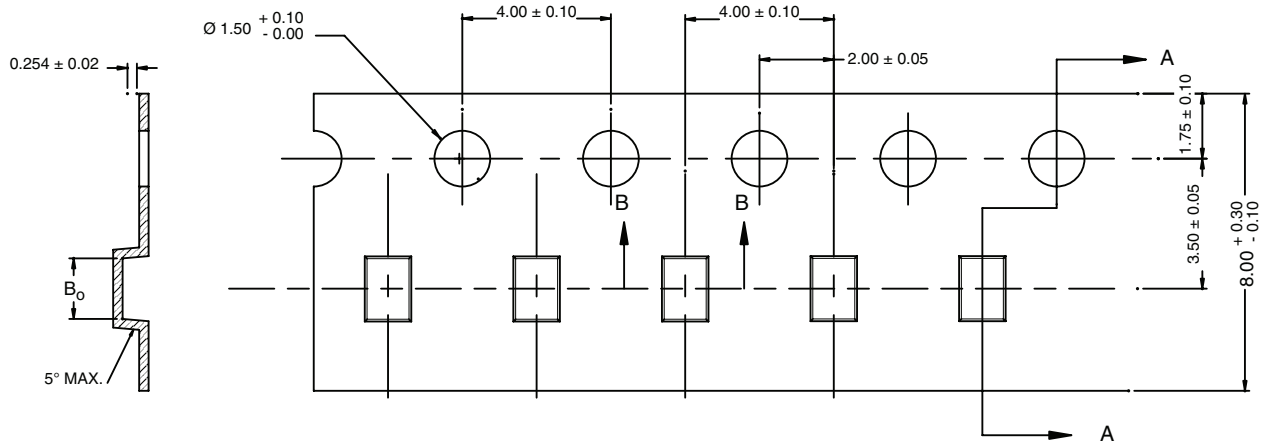
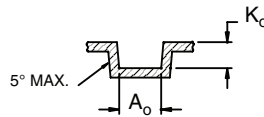


**MICRO FOOT® 2 x 3: 0.5 mm PITCH, 0.25 mm BUMP HEIGHT**



SECTION A - A



SECTION B - B

$A_0 = 1.13 \pm 0.05$
$B_0 = 1.63 \pm 0.05$
$K_0 = 0.78 \pm 0.05$

Notes:

1. 10 sprocket hole pitch cumulative tolerance  $\pm 0.2$
2. Camber not to exceed 1 mm in 100 mm
3. Material: Black conductive poly carbonate
4. Pocket position relative to sprocket hole measured as true position of pocket, not pocket hole
5. All sizes in mm unless specified

QUANTITY PER REEL	
T2	3000
ECN: S-72102-Rev. B, 15-Oct-07	
DWG: 93-5257-X	